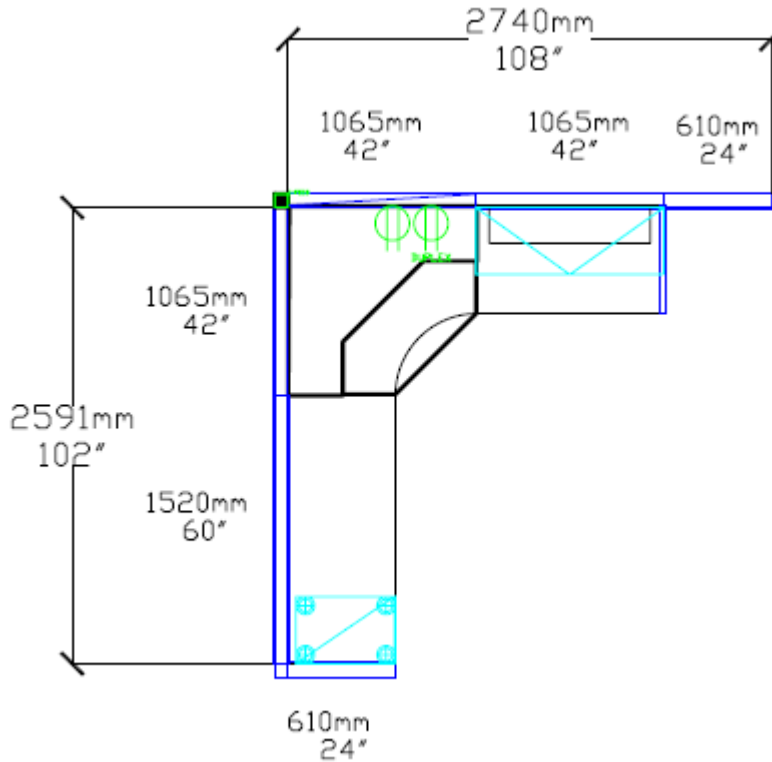


Interconnecting Panel Systems and Supported Components

Manufacturer's Name: _Groupe Lacasse Inc._____ Series Name: __Nvision_____

Layout 1



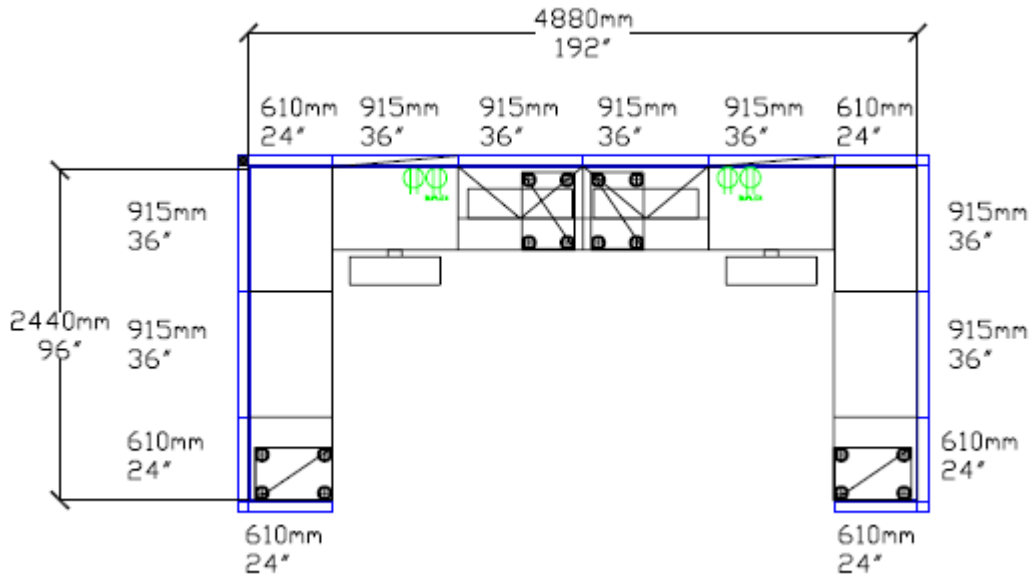
Item Description	Qty	Model Number	Page Number
PANELS			
Panel: 610mm w (24") x seated/standing privacy	2	VPA-6424-N	4
Panel: 1065mm w (42") x seated/standing privacy	2	VPA-6442-N	4
Panel: 1520mm w (60") x seated/standing privacy	1	VPA-6460-N	4
Panel, power: 1065mm w (42") x seated/standing privacy	1	VPA-6442-P	5
WORK SURFACES			
Corner with integrated keyboard/mouse surface: 610mm d x 1065mm w x 1065mm w x 610mm d (24"d x 42"w x 42"w x 24"d)	1	VUCD-2442-2G	39
Rectangular: 610mm d x 1520mm w (24"d x 60"w)	1	VUR-2460-2G	31
Rectangular: 610mm d x 1065mm w (24"d x 42"w)	1	VUR-2442-2G	31
STORAGE			
Overhead storage unit w/ door and lock, 1065mm w (42"w)	1	VSO-1642	51
Mobile lockable pedestal, box/box/file configuration	1	VPM3-24-R	54
ADDITIONAL COMPONENTS			
Task light for 1065mm w (42"w) overhead storage unit	1	VLT-30P	63
ELECTRICAL			
Power pole	1	VET-64	24
Duplex outlets	1	VERC-1 (6PACK)	25

ADDITIONAL HARDWARE (cantilevers, by-pass cables, etc.)			
Vertical wire management system			
90 DEGREE MOLDING	2	VNFC-64	16
CANTILEVERS	2	VACP-2	44
PANEL BRACKET	1	VAPB-2	45
CORNER BRACKET	1	VACB-1	46
END PANEL	1	VUSE-24	48
PENCIL TRAY	1	VPPT-1	56
CONVERSION KIT (LEGAL SIZE)	1	VPLF-KIT	57
VERTICAL WIRE CHANNEL	1	VCAV-1	64

Interconnecting Panel Systems and Supported Components

Manufacturer's Name: Groupe Lacasse Inc.____ Series Name: __Nvision____

Layout 2



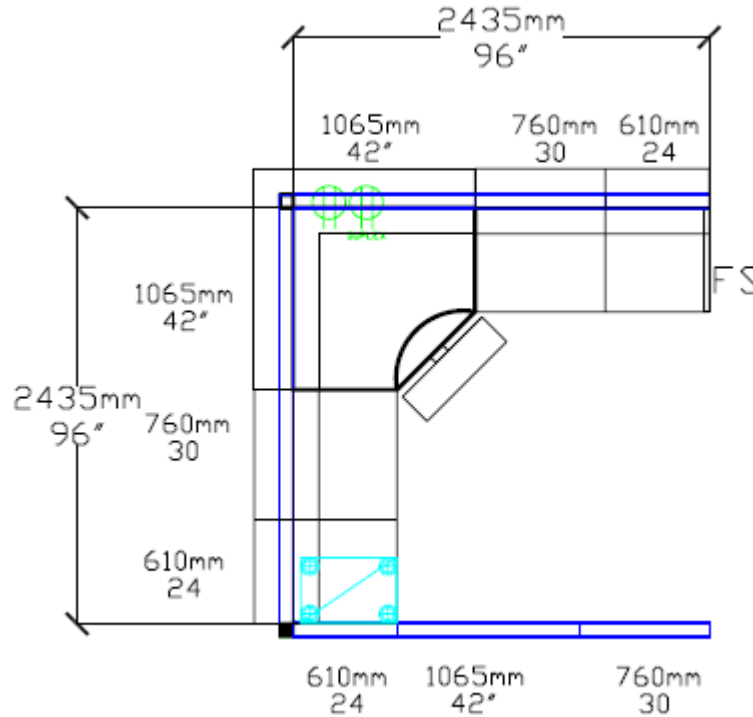
Item Description	Qty	Model Number	Page Number
PANELS			
Panel: 610mm w (24") x seated/standing privacy	2	VPA-6424-N	4
Panel: 610mm w (24") x work surface privacy	4	VPA-4424-N	4
Panel: 915mm w (36") x seated/standing privacy	2	VPA-6436-N	4
Panel: 915mm w (36") x seated privacy	2	VPA-5036-N	4
Panel: 915mm w (36") x work surface privacy	2	VPA-4436-N	4
Panel, power: 915mm w (36") x seated/standing privacy	2	VPA-6436-P	5
WORK SURFACES			
Rectangular, 610mm d x 610mm w (24"d x 24"w)	0	-----	
Rectangular, 610mm d x 915mm w (24"d x 36"w)	2	VUR-2436-2G	31
Rectangular, 610mm d x 1525mm w (24"d x 60"w)	2	VUR-2460-2G	31
Rectangular, 610mm d x 1830mm w (24"d x 72"w)	2	VUR-2472-2G	31
STORAGE			
Overhead storage unit w/ door and lock, 915mm w (36"w)	2	VSO-1636	51
Mobile lockable pedestal, box/file configuration	2	VPM1-24-R	ADDENDUM
Mobile lockable pedestal, box/box/file configuration	2	VPM3-24-R	54
ADDITIONAL COMPONENTS			
Articulating keyboard support surface	2	VAKF-23-SPC	62
Task light for 915mm w (36"w) overhead storage unit	2	VLT-30P	63
ELECTRICAL			
Power pole	1	VET-64	24
Duplex outlets	1	VERC-1 (6 PACK)	25

ADDITIONAL HARDWARE (cantilevers, by-pass cables, etc.)			
Vertical wire management system			
VARIABLE HEIGHT WIRE MNG	2	VCVS-06	18
VARIABLE HEIGHT WIRE MNG	2	VCVS-14	18
90 DEGREE MOLDING	2	VNFC-50	16
CANTILEVERS	4	VACP-2	44
PANEL BRACKET	3	VAPB-2	45
PENCIL TRAY	4	VPPT-1	56
90 DEGREE MOLDING	2	VNFC-64	16
CONVERSION KIT (LEGAL SIZE)	4	VPLF-KIT	57
POWER KIT	1	VEKP-24	26
	2	VEKP-36	26
VERTICAL WIRE CHANNEL	1	VCAV-1	64

Interconnecting Panel Systems and Supported Components

Manufacturer's Name: Groupe Lacasse Inc. __ Series Name: __Nvision__

Layout 3



Item Description	Qty	Model Number	Page Number
PANELS			
Panel: 610mm w (24") x seated/standing privacy	1	VPA-6424-N	4
Panel: 610mm w (24") x work surface privacy *	2	VPA-4424-N	4
Panel: 760mm w (30") x work surface privacy * or	2	VPA-4430-N	4
<i>Panel: power 1372mm w (54") x work surface privacy</i>	2	-----	
Panel: 760mm w (30") x seated/standing privacy	1	VPA-6430-N	4
Panel: 1065mm w (42") x work surface privacy	1	VPA-4442-N	4
Panel: 1065mm w (42") x seated/standing privacy	1	VPA-6442-N	4
Panel, power: 1065mm w (42") x work surface privacy	1	VPA-4442-P	5
WORK SURFACES			
Corner: Five sided w/ straight or curved front 610mm d x 1065mm w x 1065mm w x 610mm d (24"d x 42"w x 42"w x 24"d)	1	VUC-2442-2G	37
Rectangular: 610mm d x 610mm w (24"d x 24"w)	2	VUR-2424-2G*	31
Rectangular: 610mm d x 760mm w (24"d x 30"w) * or	2	VUR-2430-2G* or	31
<i>Rectangular: 610mm d x 1372mm w (24"d x 54"w)</i>	2	VUR-2454-2G	ADDENDUM
Corner Transaction surface : 915mm w (36")	1	VUTC-1436	42
Transaction surface: 1525mm w (60")	2	VUT-1460	42
Transaction surface: 1065mm w (42") ** or	1		
Two single transaction surfaces 1065mm w (42")	2		

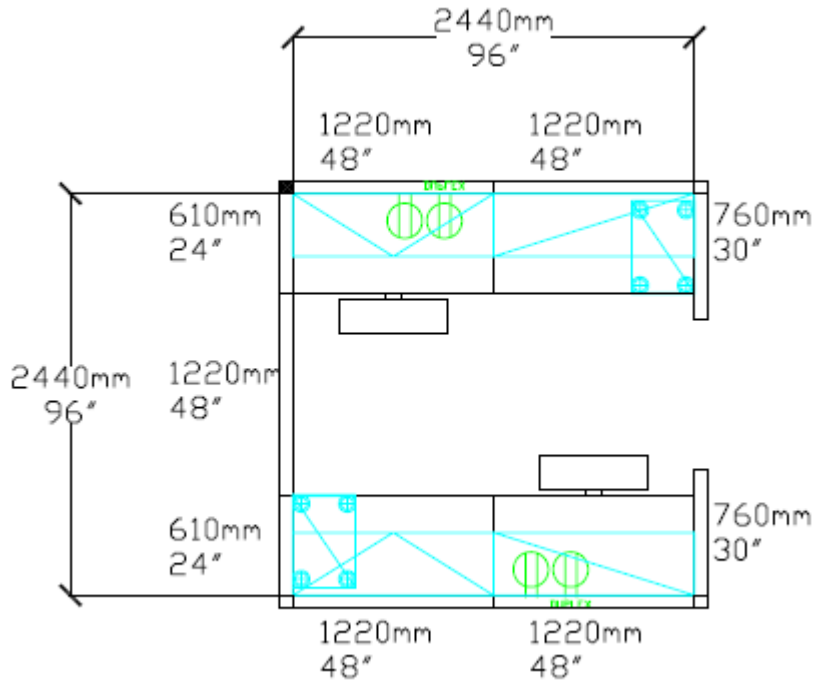
STORAGE			
Mobile lockable pedestal, box/file configuration	1	VPM1-24-R	ADDENDUM
ADDITIONAL COMPONENTS			
Articulating keyboard support surface	1	VAKF-23-SPC	62
ELECTRICAL			
Power pole	1	VET-64	24
Duplex outlets	1	VERC-1-(6PACK)	25
ADDITIONAL HARDWARE (cantilevers, by-pass cables, etc.)			
Floor support (FS)	1	VUSE-24	48
Vertical management system			
90 DEGREE MOLDING	2	VNFC-44	16
VARIABLE HEIGHT WIRE MNG	1	VCVS-20	18
CANTILEVERS	2	VACP-2	44
PANEL BRACKET	1	VAPB-2	45
CORNER BRACKET	1	VACB-1	46
PENCIL TRAY	1	VPPT-1	56
TR-SHELF BRACKET	5	VACT-2	46
FLAT-BRACKET	2	VAFB-2	47
CONVERSION KIT (LEGAL SIZE)	1	VPLF-KIT	57
POWER KIT	1	VEKP-24	26
	1	VEKP-30	26
VERTICAL WIRE CHANNEL	1	VCAV-1	64

Note:- * A 1372mm w (54") panel and work surface are acceptable. **Two single pieces to make up corner transaction surface is acceptable.

Interconnecting Panel Systems and Supported Components

Manufacturer's Name: _Groupe Lacasse Inc._ Series Name: _Nvision_

Layout 4



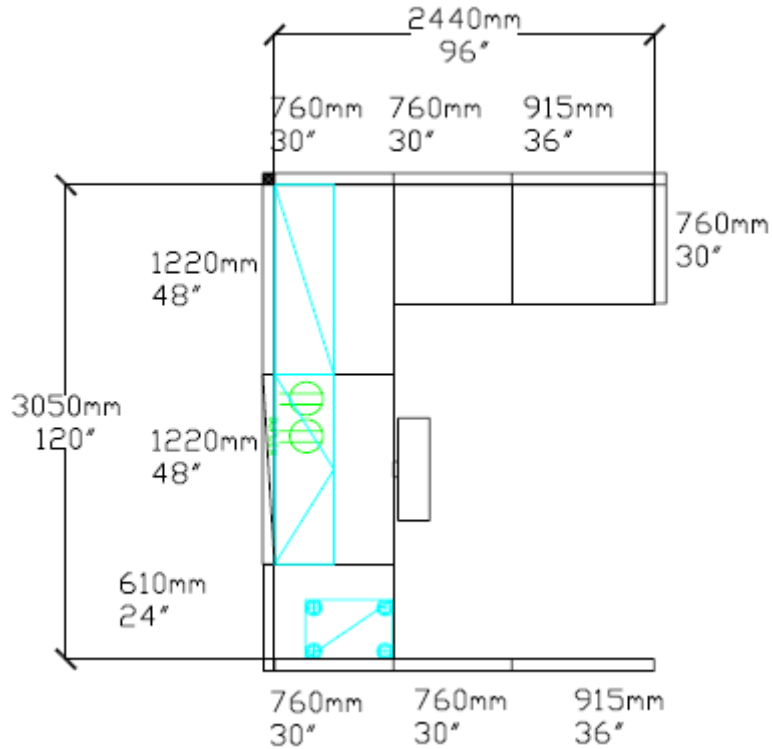
Item Description	Qty	Model Number	Page Number
PANELS			
Panel: 610mm w (24") x seated/standing privacy	2	VPA-6424-N	5
Panel: 760mm w (30") x seated privacy	2	VPA-5030-N	4
Panel: 1220mm w (48") x seated/standing privacy	3	VPA-6448-N	5
Panel: power 1220 mm w (48") x seated/standing privacy	2	VPA-6448-P	4
WORK SURFACES			
Rectangular, 610mm d x 1220mm w (24"d x 48"w)	4	VUR-2448-2G	31
STORAGE			
Overhead storage unit w/door and lock, 1220mm w (48"w)	2	VSO-1648	51
Overhead storage unit without door, 1220mm w (48"w)	2	VSO-0848	52
Mobile lockable pedestal, box/box/file configuration	2	VPM3-24-R	54
ADDITIONAL COMPONENTS			
Articulating keyboard support surface	2	VAKF-23-SPC	62
Task light for 1220mm w (48"w) overhead storage unit	2	VLT-42P	63
ELECTRICAL			
Power pole	1	VET-64	24
Duplex outlets	1	VERC-1 (6 PACK)	25

ADDITIONAL HARDWARE (cantilevers, by-pass cables, etc.)			
Vertical wire management system			
90 DEGREE MOLDING	2	VNFC-64	16
CANTILEVERS	3	VACP-2	44
PANEL BRACKET	2	VAPB-2	45
90 DEGREE MOLDING	2	VNFC-44	16
PENCIL TRAY	2	VPPT-1	56
CONVERSION KIT (LEGAL SIZE)	2	VPLF-KIT	57
POWER KIT	2	VEKP-24	26
	2	VEKP-48	26
VERTICAL WIRE CHANNEL	1	VCAV-1	64

Interconnecting Panel Systems and Supported Components

Manufacturer's Name: Groupe Lacasse Inc. _____ Series Name: __Nvision_____

Layout 5



Item Description	Qty	Model Number	Page Number
PANELS			
Panel: 610mm w (24") x seated/standing privacy	1	VPA-6424-N	4
Panel: 760mm w (30") x seated/standing privacy	1	VPA-6430-N	4
Panel: 760mm w (30") x seated/standing privacy * or	4	VPA-6430-N* or	4
Panel: 1520mm w (60") x seated/standing privacy	2	VPA-6460-N	4
Panel: 915mm w (36") x seated/standing privacy	2	VPA-6436-N	4
Panel: 1220mm w (48") x seated/standing privacy	1	VPA-6448-N	4
Panel, power: 1220mm w (48") x seated/standing privacy	1	VPA-6448-P	5
WORK SURFACES			
Rectangular: 610mm d x 760mm w (30"d x 24"w)	1	-----	
Rectangular: 760mm d x 760mm w (30"d x 30"w)	1	-----	
Rectangular: 915mm d x 915mm w (30"d x 36"w)	1	-----	
Rectangular: 1220mm d x 1220mm w (30"d x 48"w)	1	VUR-3048-2G	31
Rectangular: 1677mm d x 1220mm w (30"d x 66"w)	1	VUR-3066-2G	31
Rectangular: 1830mm d x 1220mm w (30"d x 72"w)	1	VUR-3072-2G	31
STORAGE			
Overhead storage unit w/ door and lock, 1220mm w (48"w)	1	VSO-1648	51

Overhead storage unit without door, 1220mm w (48" w)	1	VSS-0848	52
Mobile lockable pedestal, box/file configuration	1	VPM1-24-R	ADDENDUM
ADDITIONAL COMPONENTS			
Task light for 1220mm w (48" w) overhead storage unit	1	VLT-42P	63
ELECTRICAL			
Power pole	1	VET-64	24
Duplex outlets	1	VERC-1 (6 PACK)	25
ADDITIONAL HARDWARE (cantilevers, by-pass cables, etc.)			
Vertical management system			
	3	VNFC-64	16
90 DEGREE MOLDING			
	2	VACP-2	44
CANTILEVERS			
	3	VAPB-2	45
PANEL BRACKET			
	1	VPPT-1	56
PENCIL TRAY			
	1	VAKF-23-SPC	62
ARTICULATING KEYBOARD SUPPORT SURFACE			
CONVERSION KIT (LEGAL SIZE)	1	VPLF-KIT	57
POWER KIT	1	VEKP-48	26
	1	VCAV-1	64
VERTICAL WIRE CHANNEL			

Note: * Two 1520mm w (60") panels are acceptable.